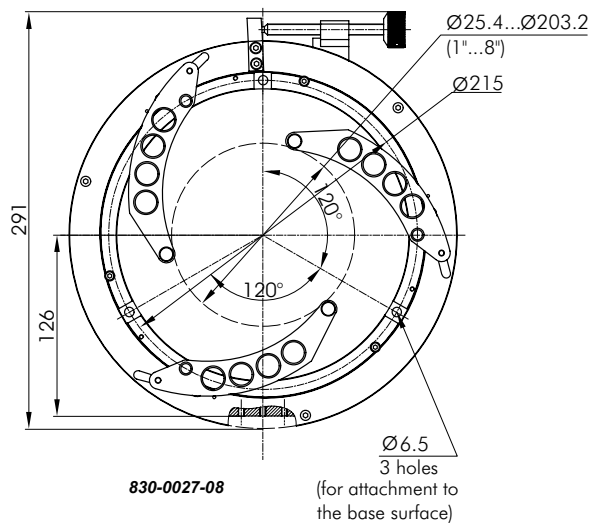
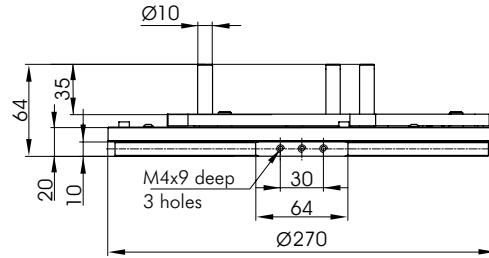


## 830-0027

## SELF-CENTERING LENS/OPTICS MOUNTS



Self-Centering Optics Mount 830-0027 reliably centres and securely holds round optics and cylindrical objects. This device is particularly valuable when lenses of different diameters are being used interchangeably and repeated centering at constant height is necessary. The Self-Centering Optics Mount 830-0027-08 accommodates optics up to 8 inch (203.2 mm); 830-0027-12 – up to 12 inch (305 mm) and is oversized to provide easy finger access for inserting and removing optics. Optical elements are fixed and centered at the same time by adjusting driving screw at the top of the device. Heavy optical components are secured by wedged rods.



- For optics up to 8" or up to 12" in diameter
- Adjustable range from 1" (25.0 mm) to 8" (203 mm)
- 3 mounting holes Ø6.5 mm are made for mounting to flat object
- Reverse operation – holding hollow objects from inside
- Made of black anodized aluminium and black oxidation steel

Catalogue number	Description	Weight, kg	Price, EUR
830-0027-08	8"; without base plate	1.8	365
830-0027-08B	8"; with a base plate	1.85	400
830-0027-12	12"; without base plate	7.35	2155
830-0027-12B	12"; with a base plate	7.55	2190

For Vacuum Compatible Self-Centering Optics Mount of 8" or Self-Centering Mount of 12" datasheets please visit [www.eksmaoptics.com](http://www.eksmaoptics.com)

## Base plate for 830-0027-08



Our recommended Base Plate is used to fix 830-0027 to optical table or other suitable bases. Mounting base plates of different shapes can be manufactured under customer request. Default package does not include Base Plate and it must be ordered separately.

